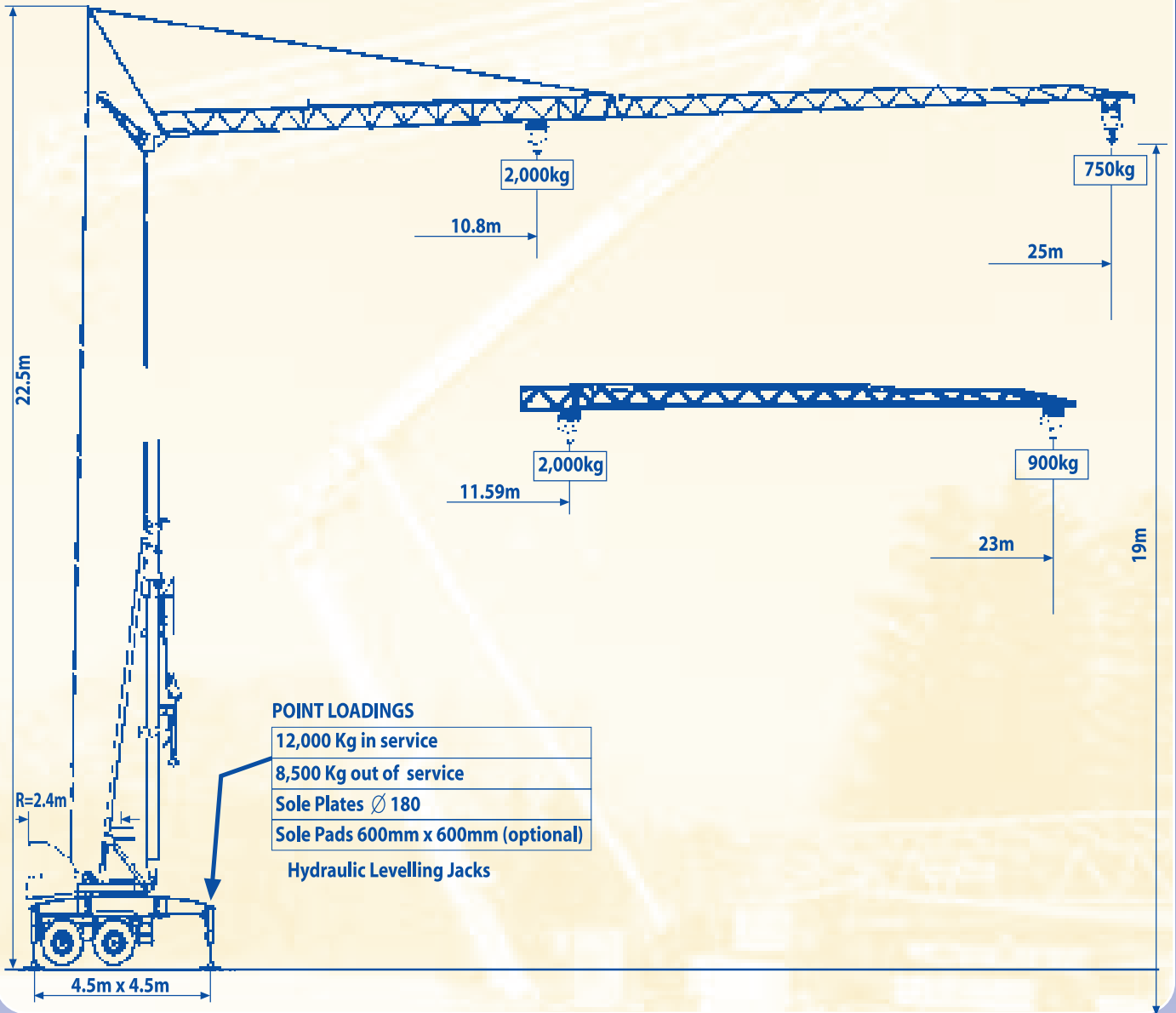


MANTIS[®]

TC-25

CE DIN 15018



MANTIS[®]
CRANES



Load Curves



10.8	13	15	17	19	21	23	25	m
2000	1640	1415	1230	1085	970	870	750	Kg

Full 25m jib folded out



11.69	13	15	17	19	21	23	m
2000	1770	1600	1310	1160	1035	900	Kg

2m jib section removed reducing maximum jib length to 23m



12	m
2000	Kg

13m jib section hydraulically folded back to reduce jib length to 12m



2 fall rope operation

Inclined Jib to 24m – 750 Max Lift anywhere along Jib



Speed of Mechanisms

HOISTING		m/min.	4,5	18	36
		kg	2000	2000	1000
		CV-PS hp	2,5	10	10
		kW	1,83	7,35	5,5
TROLLEYING		m/min.	30		
		CV-PS hp	2		
SLEWING		0,2-1 tr/min - u/min rpm - g/min	2,5 kgm		2,5

Power Requirements

MAINS ELECTRICITY	↗ 400V (+6%-10%) @ 50Hz	GENERATOR
KVA	16KVA	20-30 KVA

Subject to modification

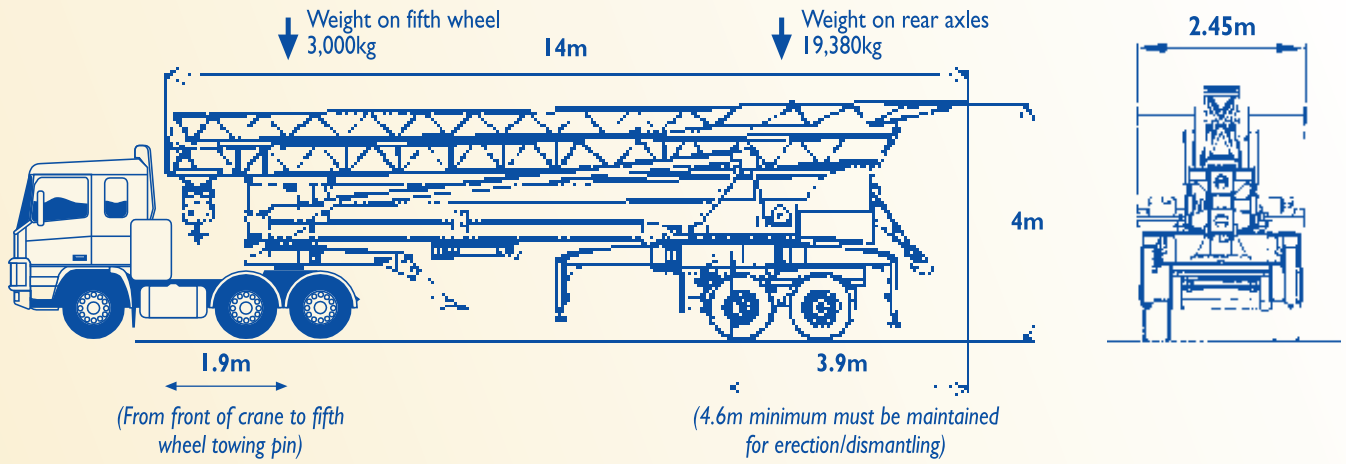


Weights

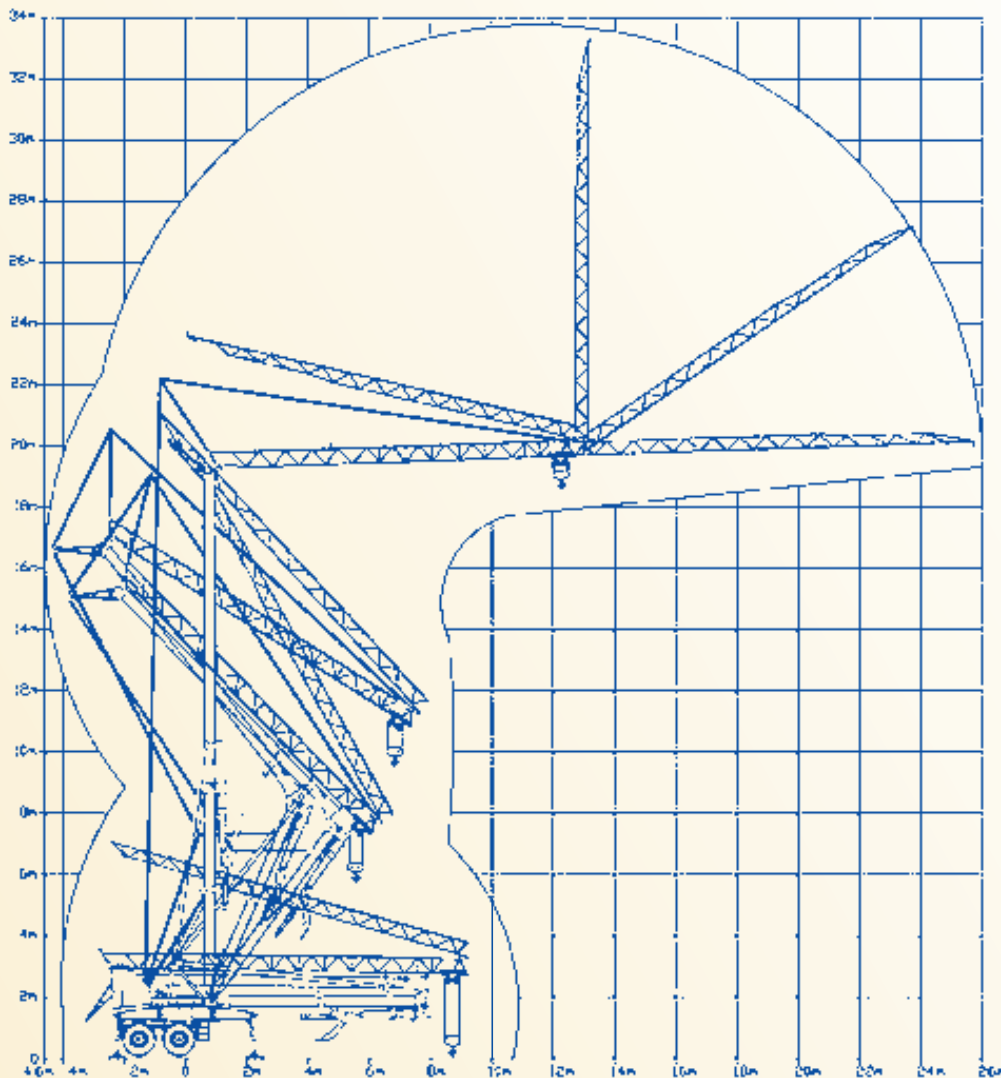
Gross Weight without generator	21,480 Kg
Gross Weight with generator	22,320 Kg



Mode of Transport



Erection Schematic





On-site materials handling for the 21st Century



Head Office
Killygordon
Co. Donegal
Ireland

Tel: +353 (0)74 9149981

Fax: +353 (0)74 9149932

Email: info@mantiscranes.ie

Web: www.mantiscranes.ie

UK Office

Unit 11
Brockwell Court
Low Willington Industrial Estate
Crook

Co. Durham DL15 0UT

Lo Call: 0845 3098158

Tel: +44 (0)138 8748962

Fax: +44 (0)138 8748968

Email: info@mantiscranes.co.uk

Web: www.mantiscranes.co.uk

This commercial document is not legally binding. Changes may be made to the content without any notification.

'The Evolution in Crane Technology'